

4

3

2

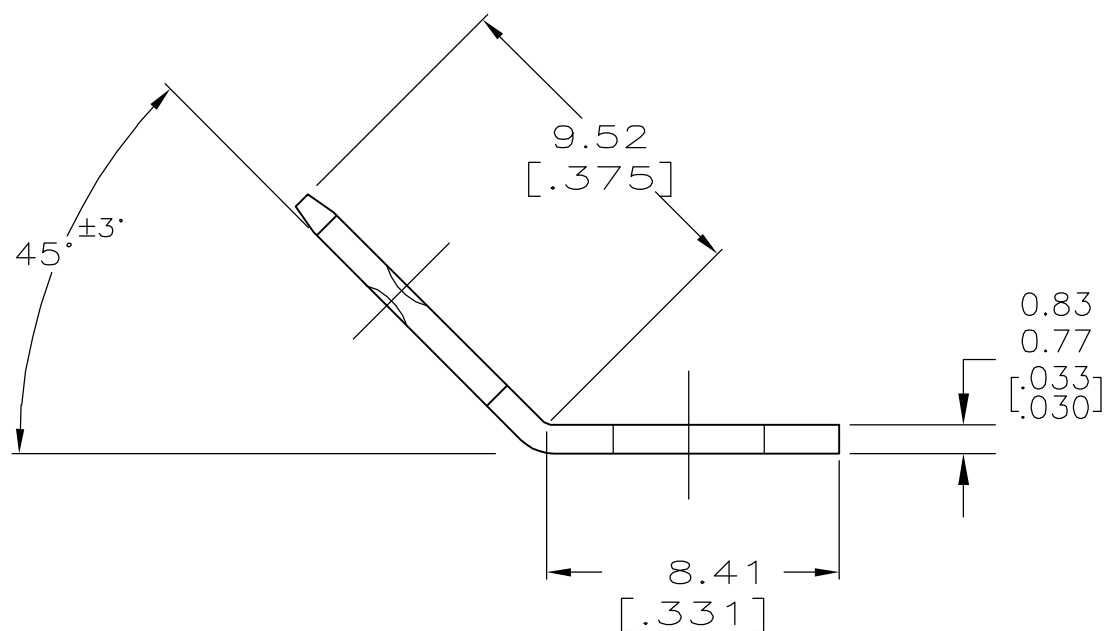
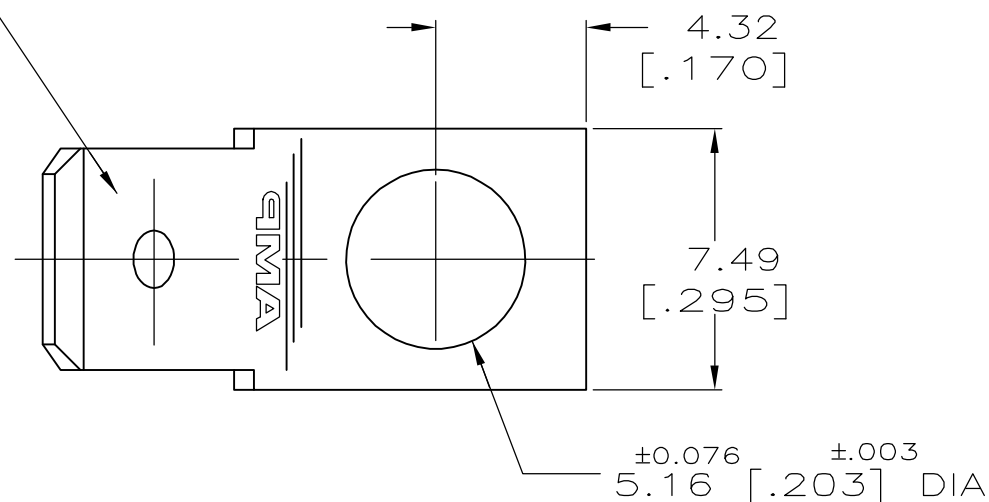
1

THIS DRAWING IS UNPUBLISHED. RELEASED FOR PUBLICATION --  
 © COPYRIGHT BY TYCO ELECTRONICS CORPORATION. ALL RIGHTS RESERVED.

LOC	DIST	REVISIONS					
AF	50	P	LTR	DESCRIPTION	DATE	DWN	APVD
		C		REV PER ECR-05-017287	07APR06	HMR	JR

1 SUPPLIED IN LOOSE PIECE.

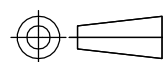
FITS 6.35 [.250]  
 SERIES FASTON  
 RECEPTACLE



# METRIC

THIS DRAWING IS A CONTROLLED DOCUMENT.

DIMENSIONS:  
 mm [INCHES]



MATERIAL  
 082 BRASS

TOLERANCES UNLESS OTHERWISE SPECIFIED:

0 PLC	± -
1 PLC	± -
2 PLC	± 0.25 [.010]
3 PLC	± -
4 PLC	± -
ANGLES	± -

FINISH  
 SEE TABLE

DWN	JR RUTH	11/12/91
CHK	MS FEHER	11/12/91
APVD	C MEYERS	11/12/91
PRODUCT SPEC	-	
APPLICATION SPEC	-	
WEIGHT	-	
CUSTOMER DRAWING		

TIN 0.002032 [.000080] MIN		61365-1	
FINISH		PART NO	
<b>tyco</b> <b>Electronics</b>		Tyco Electronics Corporation Harrisburg, PA 17105-3608	
NAME TAB, FASTON,™ 6.35 [.250] SERIES			
SIZE	CAGE CODE	DRAWING NO	RESTRICTED TO
A3	00779	C-61365	-
SCALE 5:1		SHEET 1 OF 1	REV C